

## Specifications of DIN Rails

Description	Units	TBLS	TDR2	TDR3
- Designed in accordance / similar to EN 60715		✓	✓	✓
- Base Metal - cold rolled low carbon steel according to DIN EN 10130		✓	✓	✓
- Electroplated coating of zinc according to DIN EN 12329		✓	✓	✓
- Passivation according to DIN EN 12329		✓	✓	✓
- Electroplated coating Fe//Zn8//B		✓	✓	
- Electroplated coating Fe//Zn12//C				✓
- Zinc layer thickness	µm	3 ~ 5	5 ~ 8	8 ~ 12
- Passivation Film thickness	nm		200 - 400	300-400
- Color appearance			Light iridescence	Iridescence
- NSS neutral salt spray White Rust (Minimum), Corrosion Stability	Hours	48	72	120
- NSS neutral salt spray Red Rust (Minimum), Corrosion Stability	Hours	72	240	350
- RoHS Compliances		✓	✓	✓
- CE Compliances		✓	✓	✓
- May be used as Grounding busbars (PE funtion) according to IEC 60947-7-2				✓
- Standard length in meters	Meter	1 / 2	1 / 2	1 / 2
- Availability in Custom Cut to Length		✓	✓	✓

## Universal DIN Cutter

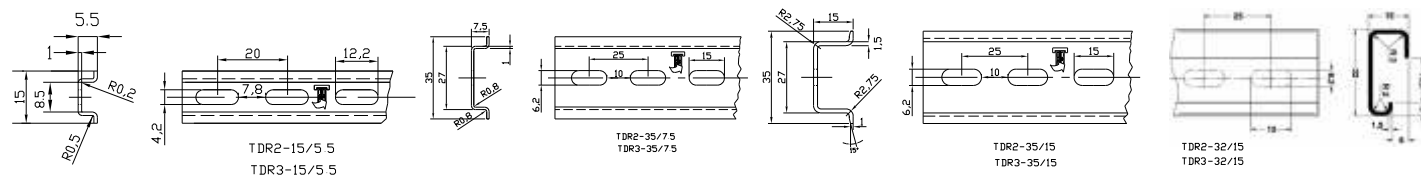
Bench top Profile Cutter with five built in dies for manual cutting of common DIN rails to custom length. Tool is intended for use where multiple DIN rails are to be cut without changing the die.



### Salient Features

- Long Life of Punch and Side Plates.
- Nickel - Chrome plated handle.
- Ease of operation.
- Cuts in flash and without burr or deformation.
- Guide plate facilitates insertion of profile and provides rail support.
- Direct reading rail length indicator (Scale).
- Common cutting die for 32/15, 35/7.5, 35/15, 15/5.5 DIN Rails as well as Neutral Busbars NLS CU 3/10.

Description	Type	Article No.	Pkt.
Profile cutter, with inch / mm measuring bar	PC Series 1-I/M	01 17 00269	1



Trinity Touch Pvt.Ltd.

www.trinitytouch.com

#### Corporate Office

Delhi  
D-10, Defence Colony  
New Delhi - 110024 INDIA  
Tel: +91.11.30895900  
Fax: +91.11.30895998  
E-mail: postmaster@trinitytouch.com

#### Warehouses

Haryana  
Prithla-Dudhola Road, Dudhola  
Distt. Palwal - 121102  
Haryana INDIA  
Tel: +91.11.30895940  
E-mail: sales@trinitytouch.com

#### Gujarat

4 Kamal Shopping Centre Near Bajaj  
Showroom Jashoda Nagar, Vatawa Road,  
Ahmedabad - 382445 Gujarat INDIA  
Email : gujaratsales@trinitytouch.com

#### Maharashtra

Balaji Complex, opposite Jambulkar Health Club,  
Survey No 40/1, Hulawale-Wasti Road,  
Hinjewadi, Pune - 411057 Maharashtra INDIA  
Email : maharashtrasales@trinitytouch.com



Truly Industrial DIN Rail



DIN Rail



Truly Industrial

# DIN Rails

The DIN Rails are designed in accordance with the European Standard EN 60715 using state of the art production processes to ensure high dimensional accuracy, restricted tolerances and outstanding surface tempering. The DIN Rails are available in standard lengths of 1M and 2M or to required lengths\* with or without perforation. We also offer universal DIN Rail Cutter .

In accordance with IEC60 947-7-2, DIN rails made of steel may be used as equipotential busbars (PE function), but without PEN function. Our entire range of DIN rails are RoHS & CE Compliant.

### TDR 3 (Third Generation Passivation)

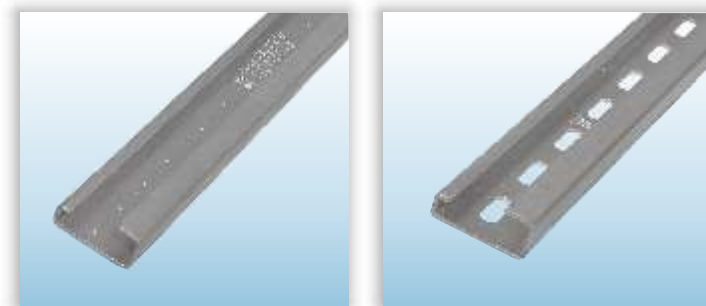
This series of DIN Rail is for industrial application conforming to the European Standard EN 60715 with THIRD generation passivation of Cr<sup>3+</sup> Iridescent color, higher thickness film 300nm~400nm, SST stability of 350Hrs. It has an advantage of being fluoride free, organic acid free and has a low metal concentration and for improved corrosion resistance.

### TDR 2 (Second Generation Passivation)

This series of DIN Rail has SECOND generation passivation of Cr<sup>3+</sup>, silver chromated, higher thickness film 200nm~400nm SST stability of 240 hrs. and improved corrosion resistance as compared to the FIRST generation passivation.

### TBLS

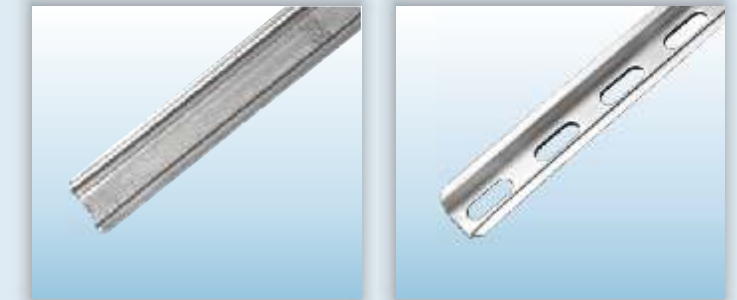
This series of DIN Rail is for industrial applications conforming to the European Standard EN 60715 with FIRST generation of Cr<sup>3+</sup> passivation for standard corrosion resistance and SST stability of 72 Hrs.



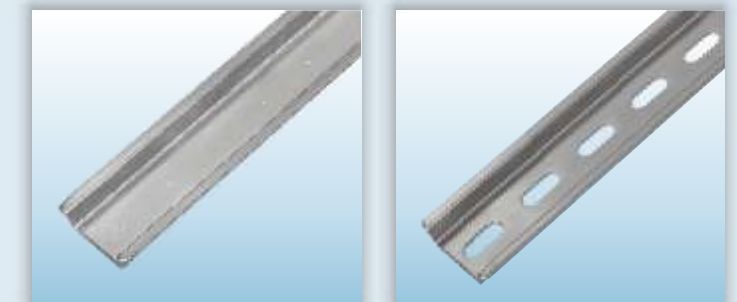
## DIN 'G' Rail 32/15

Type	TDR 2 ( Silver Chromated )		TBLS ( Silver Chromated )	
	2 Meter	1 Meter	2 Meter	1 Meter
Article no. for Perforated	01 17 01129	01 17 01131	01 17 01133	01 17 01135
Article no. for Un-perforated	01 17 01128	01 17 01130	01 17 01132	01 17 01134
Mtrs / Pkt	1	1	1	1

## DIN Rail 15/5.5

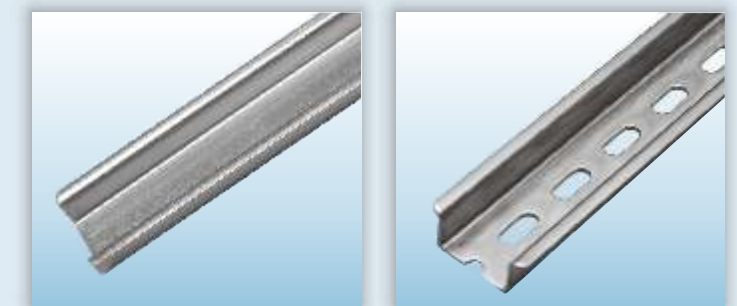


Type	TDR 2 (Silver Chromated)		TDR 3 (Iridescent Chromated)	
	2 Meter	1 Meter	2 Meter	1 Meter
Article no. for Perforated	01 17 00254	01 17 00255	01 17 00279	01 17 00280
Article no. for Un-perforated	01 17 00252	01 17 00253	01 17 00277	01 17 00278
Mtrs / Pkt	20	10	20	10



## DIN Rail 35/7.5

Type	TDR 2 (Silver Chromated)		TDR 3 (Iridescent Chromated)	
	2 Meter	1 Meter	2 Meter	1 Meter
Article no. for Perforated	01 17 00271	01 17 00272	01 17 00283	01 17 00284
Article no. for Un-perforated	01 17 00256	01 17 00270	01 17 00281	01 17 00282
Mtrs / Pkt	10	5	10	5



## DIN Rail 35/15

Type	TDR 2 (Silver Chromated)		TDR 3 (Iridescent Chromated)	
	2 Meter	1 Meter	2 Meter	1 Meter
Article no. for Perforated	01 17 00275	01 17 00276	01 17 00287	01 17 00288
Article no. for Un-perforated	01 17 00273	01 17 00274	01 17 00285	01 17 00286
Mtrs / Pkt	8	4	8	4